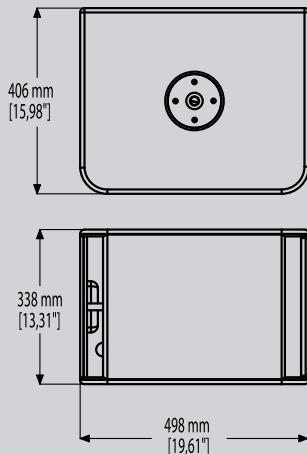


LS400 Subwoofer

NEXO



Key Features

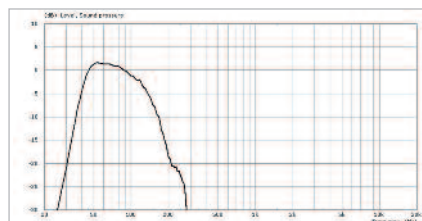
- High power system (131dB Peak SPL @ 1m) with 12" VLF low magnetic emission Neodymium driver for light weight (14.6 kg, 32 lbs) and negligible magnetic leakage.
- VLF extension (to 40Hz) of PS8 Loudspeakers.
- Sophisticated control electronics ensure reliable, linear operation.
- Integral pole mount that supports 1 or 2 PS8 Loudspeakers.

System Applications

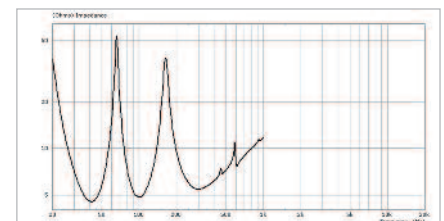
- Near-field touring, installed PA for clubs, A/V, theater, broadcast, etc.
- High quality stage monitoring for clubs, A/V, theater, broadcast, etc.
- Fill-in system in conjunction with larger Nexo PS/Alpha systems.
- Anywhere powerful, high quality performance is required adjacent to magnetically sensitive video equipment.

The LS400 Sub-Bass extends the usable range of the PS8 Loudspeaker to 40Hz, providing high performance and high power output (131dB Peak) in an extremely compact, light weight package. The NEXO-designed shielded 12in Neodymium driver allows the LS400 to be used in close proximity to magnetically sensitive video equipment.

One LS400 is typically used with two PS8 loudspeakers, additional units may be used for an enhanced LF impact. The PS8 TDCController's integral sub section and combined signal (PS8 and LS400) Speakon wiring ensure cost-effective and simple system implementation.



LS400 response



LS400 impedance

NEXO
www.nexo.fr

LS400 Subwoofer

NEXO

PS8



NEXO is one of the world's leading sound reinforcement loudspeaker manufacturers. Founded in 1979, the company is dedicated to crafting practical solutions with solid engineering. Each new design begins with a proprietary sophisticated computer simulation process that allows every parameter to be extensively modeled and simulated, leading to breakthrough cost and performance gains. NEXO's comprehensive product line includes loudspeakers, analogue and digital control electronics and amplification; all designed to deliver consistent sound quality and long term reliability for a broad range of applications.

NEXO S.A.
Parc d'Activité
du Pré de la Dame Jeanne
B.P. 5
60128 PLAILLY
Tel: +33 (0) 3 44 99 00 70
Fax: +33 (0) 3 44 99 00 30
e-mail: info@nexo.fr

NEXO LatAM
C.C. No 33. Suc 49
Caballito (1449)
Buenos Aires
Argentina
Tel: +54 114 432 1911
Fax: +54 114 431 1007
e-mail: info@nexo.fr

NEXO Asia
GPO Box 806
Hong Kong
SAR China
Tel: +852 9096 3472
Fax: +852 2104 3214
e-mail: info@nexo.fr

NEXO

www.nexo.fr

LS400 PRODUCT FEATURES

Components:	VLf 1 x 12" (30cm) Shielded Neodymium long excursion 6 Ohm driver.
Height x Width x Depth	338 x 500 x 406 mm (13 1/4" x 19 5/8" x 16").
Weight	19.5 kg (43 lbs) net.
Connectors	2 x NL4MP SPEAKON 4 pole.
Construction	Baltic Birch Ply & textured, polyurethane black coating.
Fittings: Handles	2, integral to cabinet.
Stand fittings	Internal Stand Fitting on Top (35mm, 1"3/8) accepts a mast supporting 1 or 2 PS8s.

SYSTEM SPECIFICATIONS LS400 with PS8 TDController

Frequency Response [a]	43 Hz - 120 Hz \pm 3dB.
Usable Range @-6dB [a]	40 Hz - 140 Hz.
Sensitivity 1W @ 1m [b]	99 dB SPL Nominal.
Nominal Peak SPL @ 1m [b]	128 to 131 dB Peak (300 to 700 W RMS Amp.)
Crossover Frequencies	120 Hz Active through PS8TD.
Nominal Impedance	6 Ohms.
Recommended Amplifiers	300 to 700 Watts into 4 Ohms.

SYSTEM OPERATION

Electronic Controller	The LS400 Subwoofer must be used with a Nexo Controller (PS8 TD analogue, NX241 digital or PS8AMP integrated power amplifier). Use without a properly connected Controller will result in poor sound quality and may damage the components.
Subbass	The LS400 Subwoofer provides optional VLF extension for PS8 Loudspeakers. Active two-way operation with the PS8 is included in the PS8TD, NX241 or PS8AMP. One LS400 matches 2 x PS8, additional LS400 may be used for enhanced effect.
Speaker Cables	The PS8 is wired 2- & 2+ on Speakon connectors, LS400 on 1- & 1+. Loop through Speakons are present on both products. Single identical cables can thus be used to loop through combinations of up to 2 x PS8 & 1 x LS400 in no particular order.

SHIPPING & ORDERING

Packaging	LS400 is packaged as a single product.
Shipping Weight & Volume	17.1 kg (38 lbs) / 0.130 cubic metres (4.59 cubic feet).

As part of a policy of continual improvement, NEXO reserves the right to change specifications without notice.

[a] Response curves & data : Anechoic Far Field for the PS8 + PS8TD. Half-Space Anechoic radiation for the LS400 + PS8TD.

[b] Sensitivity & Peak SPL data : these will depend on spectral distribution and crest factor of program material. Measured with band limited Pink Noise. Nominal refers to Voice Decade (300 Hz - 3 kHz), Wideband to the specified \pm 3dB range. Data are for speaker + processor + recommended amplifier combinations. Peak SPL is at clipping of recommended amplifier.

[c] Directivity curves & data : obtained by computer treatment on off axis response curves.
E&OE September 2009.

Architectural and Engineering Specifications

The sub-bass loudspeaker system shall have one 12in VLF shielded long excursion neodymium cone transducer. Nominal Sensitivity shall be 99dB. When driven by a NXAMP 4x1, NXAMP 4x4 a PS8 TDcontroller or by a NX242 properly-connected to amplification capable of delivering 300 to 700 Watts into a 6 Ω (nominal) load the system shall be capable of 128dB to 131dB peak SPL, with a frequency response of 43Hz to 120Hz \pm 3dB (40Hz to 140kHz -6dB). The system shall include an active crossover. Electrical connections shall be made via one of the two 4-pole NL4MP SPEAKON connectors.

The system shall have a tuned ported rectangular enclosure constructed of 18ply Baltic birch, finished in either black or white textured coating and having exterior dimensions no greater than 338mm H x 500mm W x 406mm D (13.3in H x 19.7in W x 16.0in D); the system shall weigh 19.3kg (43 lbs). Exterior hardware shall include 1-pole socket. The system shall be the NEXO LS400 with either the PS8 TDController, NXAMP 4x1, NXAMP 4x4 or NX242.

LIMITED WARRANTY

NEXO loudspeakers and electronics are covered against defects in workmanship or materials for a period of two (2) years from the original date of purchase. At the option of NEXO the defective item will be repaired/replaced with no charge for materials/labour. The item is to be adequately packaged and dispatched, pre-paid, to a NEXO authorised distributor/service centre. Unauthorised repair shall void the warranty. The NEXO warranty does not cover cosmetics or finish and does not apply to any items which in NEXO's opinion have failed due to used abuse, accidents, modifications or any type of misuse. All images and text herein are the property of NEXO SA, and deemed accurate, although specifications are subject to change without notice.